

Copper Test Access Port - 10M/100M

Evaluation of network health and finding performance bottlenecks is a vital issue in today's competitive telecommunications world. CUBRO TAPs help to get the job done and to find network troubles before the users are affected



100% Throughput , very low delay and fully transparent

Don't miss any details of your signal. Cubro Copper TAPs feature 100% throughput, ultra low delay (less than 20cm of cable would have) and are fully transparent, even to Layer 1 and Layer 2 faults.

LINKSAVE Function

Special LINKSAVE function enables secure network links with zero time delay even if the power supply fails. So the TAP doesn't influence the network, even if power fails.

LED Indicators

LED's on the front panel indicates power-, and link status.

Different Power Versions

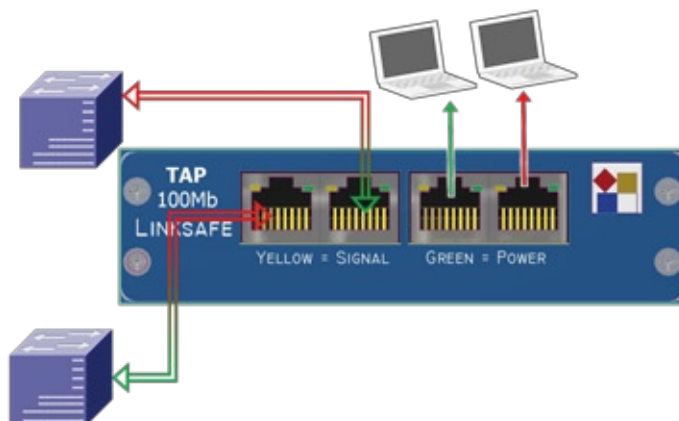
12VDC via external AC/DC converter or 48VDC power supply versions available

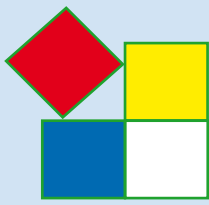
Different Cabinet versions available

Cubro Copper TAPs are available in different cabinet versions - from 19" to very compact and portable.

Easy use and operation

Easy operation and installation. No PC or software necessary. No bugs, no software-updates means more time for your business.





Specifications

| | | | |
|-------------------------|--|------------------|--------------------|
| Housing Type | portable | half 19" | 19" |
| Network Port Connector | RJ45 | | |
| Monitor Port Connector | RJ45 | | |
| Network Port Link-Speed | Supports 10M and 100M (fully passive connection; TAP doesn't influence link speed) | | |
| Monitor Port Speed | Supports 10M and 100M (fully passive connection; TAP doesn't influence link speed) | | |
| Number of Monitor Ports | 2 – separated for each direction; optional 4 Ports available | | |
| Operating Temperature | 0°C to 55°C | | |
| Storage Temperature | -10°C to 75°C | | |
| Dimension (W x D x H) | 112 x 170 x 29mm | 220 x 270 x 44mm | 482,6 x 270 x 44mm |
| Power Rating | 5W | | |
| Power Supply | 12VDC or 48VDC | | |
| Weigth | 0,4kg | 1,2kg | 2,4kg |

Version 1.0 March 2008

Designed for your demands!

We provide the solutions you need – discuss your requirement with our experts.

For more information contact your local distributor:

| | |
|---|---|
|  | <p>Distributed by DHS ElMea Tools GmbH Carl Zeiss Strasse 43 63322 Rödermark ph +49 6074 919908-0 info@dhs-tools.de www.dhs-tools.de</p> |
|---|---|