

# Copper Test Access Port - 100M Dual

Evaluation of network health and finding performance bottlenecks is a vital issue in today's competitive telecommunications world. CUBRO TAPs help to get the job done and to find network troubles before the users are affected.

This special version has two output ports per direction . Available as 19" version with two independent units or in an half 19" version.



## 100% Throughput , very low delay and fully transparent

Don't miss any details of your signal. Cubro Copper TAPs feature 100% throughput, ultra low delay (less than 20cm of cable would have) and are fully transparent, even to Layer 1 and Layer 2 faults.

## LINKSAVE Function

Special LINKSAVE function enables secure network links with zero time delay even if the power supply fails. So the TAP doesn't influence the network, even if power fails.

## LED Indicators

LED's on the front panel indicates power-, and link status.

## Different Power Versions

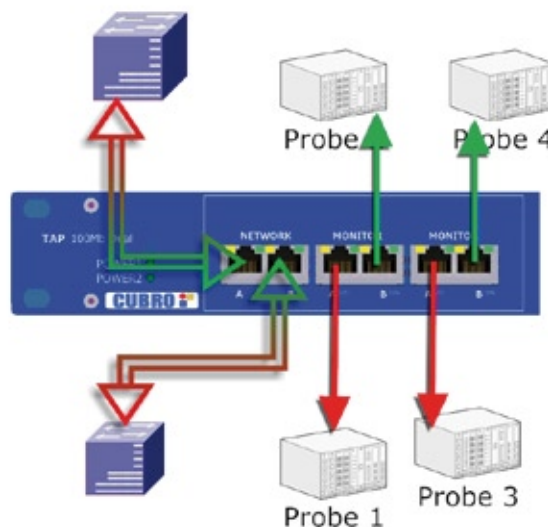
230 VAC via internal power supply  
12VDC via external AC/DC converter or  
48VDC power supply versions available

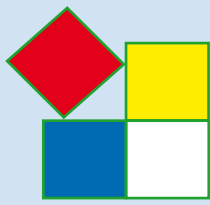
## Remote Management Interface

To get a better visibility into the network Cubro TAPs are remotely manageable via a 10M/100M Ethernet Interface and a standard web browser. Thus, to turn OFF/ON Monitoring Ports, verify the status of the network link or to check status of the power supply becomes straight forward and easy.

## Easy use and operation

Easy operation and installation.





## Specifications

Number of Network Links	2
Network Port Connector	RJ-45
Network Port Speed	100M
Linksave Function	fully passive; zero switching delay
Number of Monitoring Ports	8 (4 per network link)
Monitoring Port Connector	RJ-45
Monitor Port Speed	100M
Remote Management	yes via 10M/100M Ethernet interface and standard web browser; RS232C interface for setup
Front LEDs	Signal and Power
Power Supply	12VDC, 48VDC or 230VAC
Power Rating	25W
Dimension (W x D X H) mm	482,6 x 295 x 44
Weight	2,6kg
Operating Temperature	0°C to 55°C
Storage Temperature	-10°C to 75°C

Version 1.0 July 2008 Technical specifications can be changed without further notice



**Designed for your demands!**

**We provide the solutions you need – discuss your requirement with our experts.**

For more information contact your local distributor:



Distributed by

**DHS EIMEA Tools GmbH**

Carl Zeiss Strasse 43  
63322 Rödermark  
ph +49 6074 919908-0  
info@dhs-tools.de  
www.dhs-tools.de