

## 2-Channel Full-Duplex In-Line Ethernet TAP

### FEATURES SUMMARY

- Active TAP based on store-and-forward architecture
- Network ports:
  - Two pairs of one 10/100/1000Mbps RJ-45 and Mini-GBIC combo ports for traffic up to 2 network segments
  - Auto network sensing and negotiating of speed
- Monitoring port:
  - One 10/100/1000Mbps RJ-45 and Mini-GBIC combo ports
  - Auto MDI/MDI-X and auto correction of twisted-pair polarity
- Management port:
  - 10/100Mbps RJ45 with 852 CPU module embedded
- Console port:
  - One RS-232 port for real-time display of traffic statistics
- Support 8-set 32bits UDF and 2-set 48bits UDF
- Support full set RMON counter
- Auto transfer to Relay mode when power out
- Real-time LED display of traffic events and monitoring
- Built-in filter to block traffic from specific network port(s) to the monitoring port

### MAJOR BENEFITS

- Provides an invisible, non-intrusive permanent access to network monitoring and analysis devices without link disruption or degradation
- Simultaneous non-blocking forwarding of all TXs and RXs traffic, including error packets
- Maximizes the port utility of the Intrusion Detection System (IDS)
- Protects the IDS sensor from attack by the monitored segment
- Option to withdraw spanning /mirroring function to avoid any problems associated with such methods
- Real-time monitoring, capturing, and analyzing of network traffic
- All filter and capture settings can be defined by management port
- Easy to read counter status

### KEY APPLICATIONS

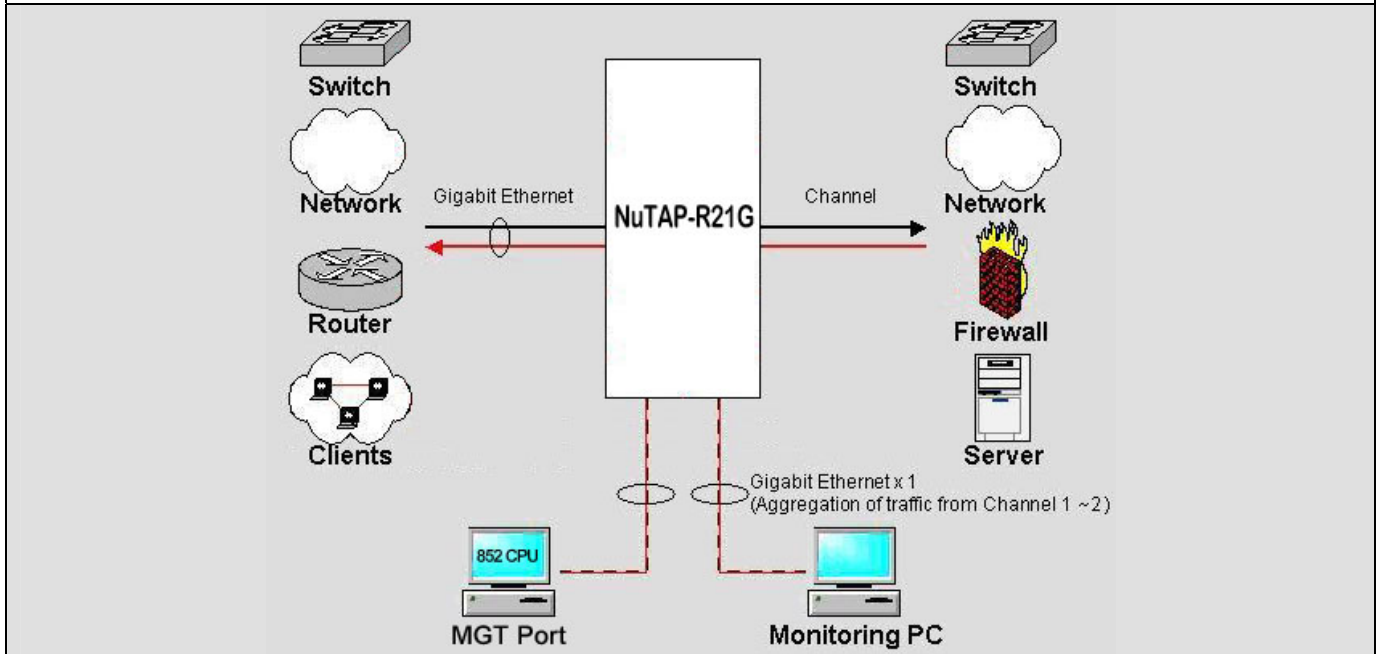
- Traffic monitoring and analysis for networking device developers and/or operators
- Intrusion Detection System (IDS)

## NuTAP-R21G



## OVERVIEW

### APPLICATION DIAGRAM



### NuTAP-R21G Specifications

<b>Interfaces</b>	<p>Network Port: 2 pairs x 10/100/1000Mbps 1 x RJ-45 and 1 x Mini-GBIC combo ports</p> <p>Monitoring Port: 1 x 10/100/1000Mbps RJ-45 and Mini-GBIC combo ports</p> <p>Management Port: 1 x 10/100Mbps RJ port (852 CPU embedded)</p> <p>Console Port: 1 x RS-232 with DB-9 connector</p>
<b>LED Display</b>	<p>Status: System, Blink/ Oneshot, Chassis ID (0~9), Speed, Link/ Act, SD, Tx, Rx</p> <p>Counters: Unicast (UC), Broadcast (BC), Pause, Collision, CRC Error, Oversize (OS), Undersize (US), Capture, Capture Loss</p>
<b>Power</b>	AC in 90~240 VAC
<b>Temperature</b>	0°C ~ 40 °C (Operating); 0°C ~ 50 °C (Storage)
<b>Humidity</b>	0% ~ 85% RH (Operating) ; 0% ~ 85% RH (Storage)
<b>Dimensions</b>	44.2 cm x 24 cm x 4.3 cm